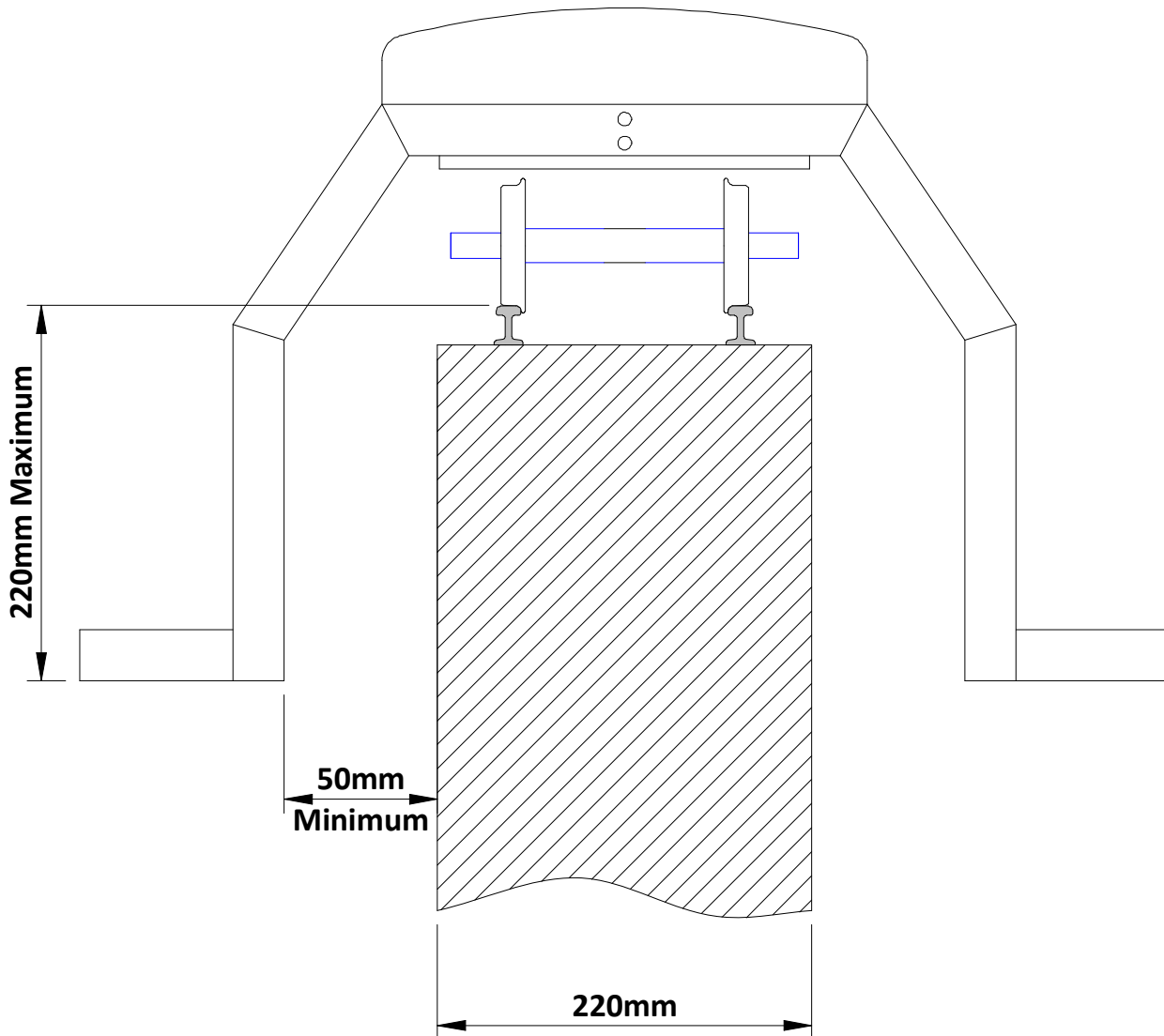


# ***NWMES Driving Trolley Clearances***



**The NWMES Track sits on a 200mm wide concrete block wall.**

**There should be a 50mm minimum clearance between the side of the wall and the legs of the trolley.**

**The MAXIMUM depth of the trolley legs should be 220mm below the top of the rail.**